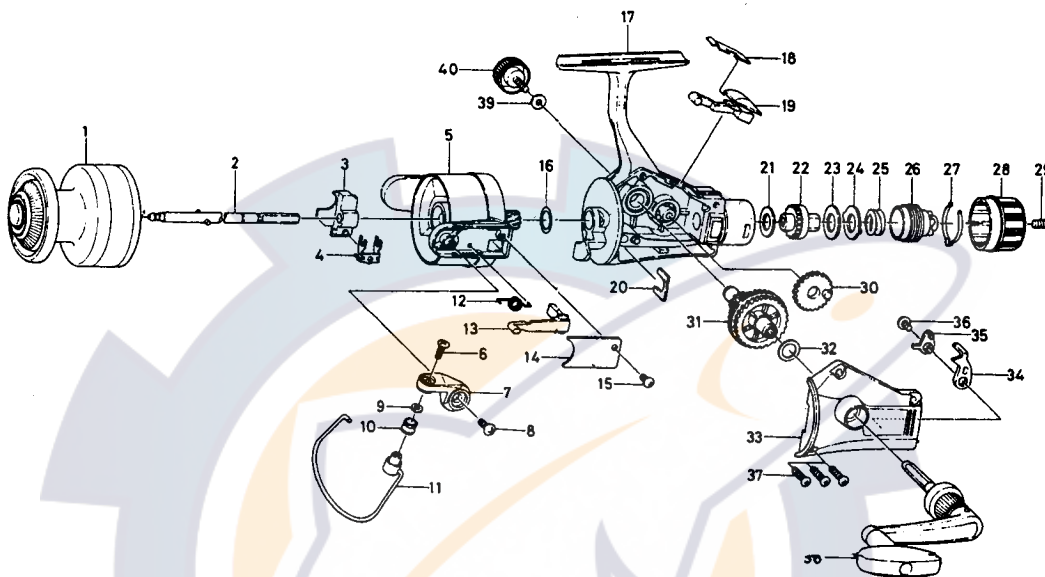


SPINNING REEL J1650/2050/MJ1650/MJ2050



Key No.	Parts No.	Parts Name	Key No.	Parts No.	Parts Name
* 1		Spool	25	B91-3701	Drag coil spring
2	B77-0801	Main shaft	26	B77-0003	Drag screw
3	B93-7101	Oscillating slider	27	B77-0301	Drag washer spring
4	B93-7201	Oscillating slider retainer	28	B77-0401	Drag knob
* 5		Rotor	29	352-1103	Drag knob spring screw
6	B67-9301	Line roller screw	30	B74-3701	Oscillating gear
7	B91-6701	Bail arm	31	B93-7001	Drive gear
8	351-6102	Bail arm screw	32	373-7800	Drive gear washer
9	B55-4301	Line roller washer	* 33		Side cover
10	250-3921	Line roller	34	E05-2001	Anti-reverse pawl
11	B93-6801	Bail	35	B50-1201	Anti-reverse pawl plate
12	B91-6501	Bail spring	36	351-6102	Anti-reverse pawl screw
13	B93-6601	Bail trip lever	37	351-8504	Side cover screw
14	B93-6701	Bail spring cover	38	B93-7601	Handle
15	352-0402	Bail spring cover screw	39	B92-4901	Handle lock washer
16	372-8600	Spool washer	40	B92-5001	Handle screw cap
* 17		Body			
18	B79-0101	Anti-reverse cam spring	MJ2050/J2050 special parts		
19	B84-8901	Anti-reverse lever	* 1		Spool
20	B60-3401	Pinion retainer	* 5		Rotor
21	B78-6601	Drag washer A	11	B93-8501	Bail
22	B76-9801	Click gear	* 17		Body
23	B46-9504	Drag washer B	33	B93-7302	Side cover
24	373-3603	Eared washer	38	B83-8701	Handle

*Order by model and part name due to color change.